



ROAN BUILDING SYSTEMS

a siteserv plc company

For More Information
Contact Us Today:

0845 121 1687



Sisk Mater Hospital

4 Storey Project Offices

Client: John Sisk & Son Ltd

Location: Mater Hospital

Project: 4 Storey Project Offices

Size: 1,100 SQ MTR

Project Timeframe: 8 Weeks

Requirement:

Roan Building Systems was awarded the contract to provide construction project offices for John Sisk & Son in the €130m redevelopment project for the Mater Hospital.

Roan Building Systems has a strong relationship with Sisk having supplied buildings to the company for over 25 years including the projects offices for development of the new Aviva Stadium at Lansdowne Rd.

The project was awarded to Roan Building Systems based on a combination of our proven track record, cost, quality, and programme and management approach.

Solution:

John Sisk and Son Ltd decided on a four storey modular building given the restricted on-site space. The 1,100 sq metre office will house both Sisk & the Mater Campus Hospital Development project teams.

The four storey building was constructed & largely outfitted off site in Roan Building Systems's state of the art manufacturing facility. Roan Building Systems's offsite construction methods meant onsite erection was completed within one month, allowing Sisk's onsite project team to be fully operational by mid September.

The RoanPlan Modular System uses individual galvanised steel modules to rapidly construct buildings of multiple storeys and of unlimited internal space, which can be tailor made to suit any purpose. This structural steel has a 60-year lifespan.

The RoanPlan System creates highly sophisticated structures with the durability to withstand the most rigorous demands. The core strength of Modular Building is adaptability, the load bearing frame allows for changes & alterations to the internal layout & in this case enabled us accommodate an additional storey.

Healthcare Brochure

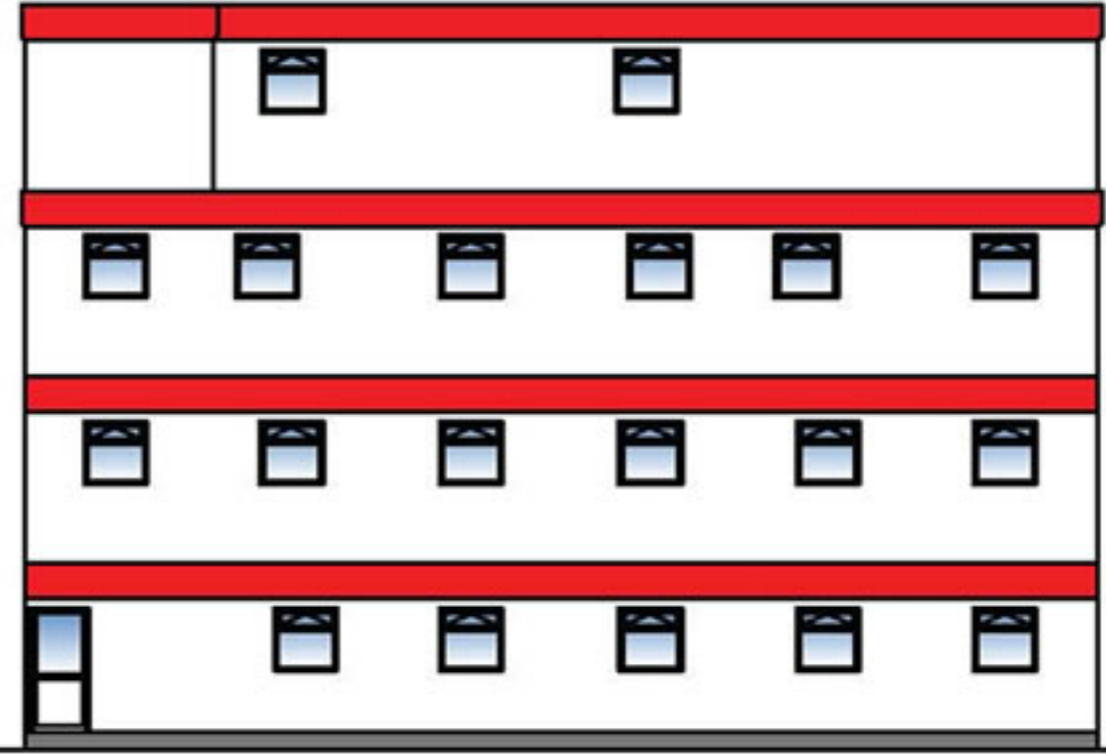


Download Your Copy at
www.roanbuildings.co.uk

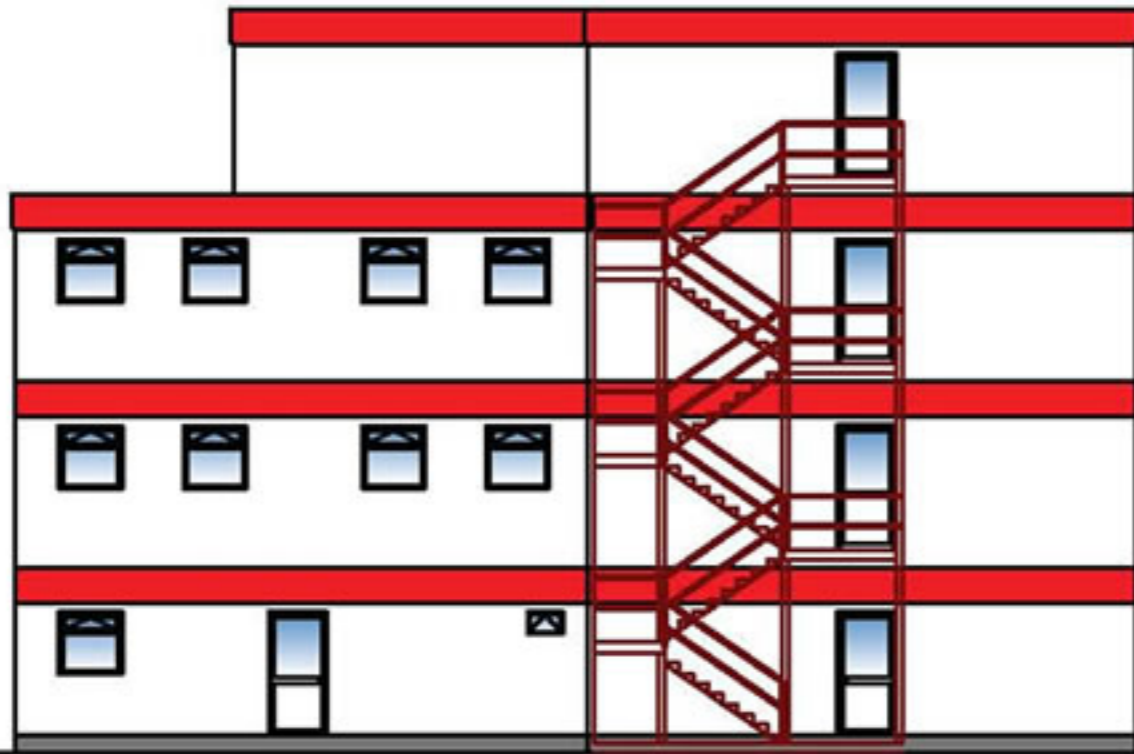
Elevations



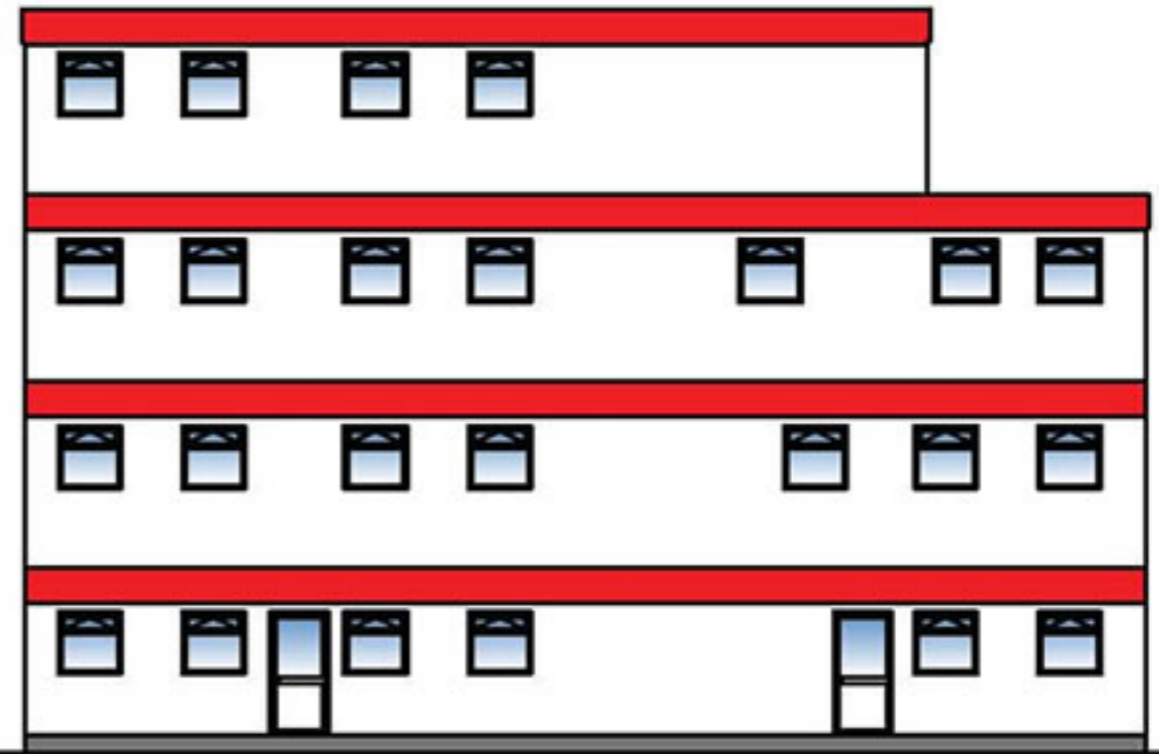
Elevation A



Elevation C



Elevation B



Elevation D



Through our extensive knowledge acquired over thirty years, Roan Building Systems has expertise and experience in a wide range of sectors including: Education, Health, Construction, Sports / Leisure, Industry & Commerce.

This acumen ensures we can design & develop buildings from scratch or liaise directly with a client or architect to meet their specific requirements.

We believe in turn-key solutions from planning permission, fire certification, design/ engineering & off-site manufacture in our modern factory.

Buildings are then transported by us to site, where they are constructed by our skilled site teams.

For More Information on Roan Building Systems and all our Products & Services go to www.roanbuildings.co.uk

A member of **siteserv plc** Infrastructure & Utilities Support Services Group

Siteserv Group Companies:

- DSL
- HOLGATE
- EVENTSERV
- SIERRA
- EASY ACCESS
- RENTAFENCE
- DONOHUE SCAFFOLDING

Accreditations:

- HAAS
- MPBA
- constructorline
- nqa ISO 9001 Registered
- UKAS
- nqa ISO 14001 Registered
- UKAS

Wakefield Office:

Monckton Road Industrial Estate,
Denby Dale Road,
Wakefield,
WF2 7AL,
United Kingdom.

Telephone:

0845 121 1687

Email:

sales@roanbuildings.co.uk



Glasgow Office:

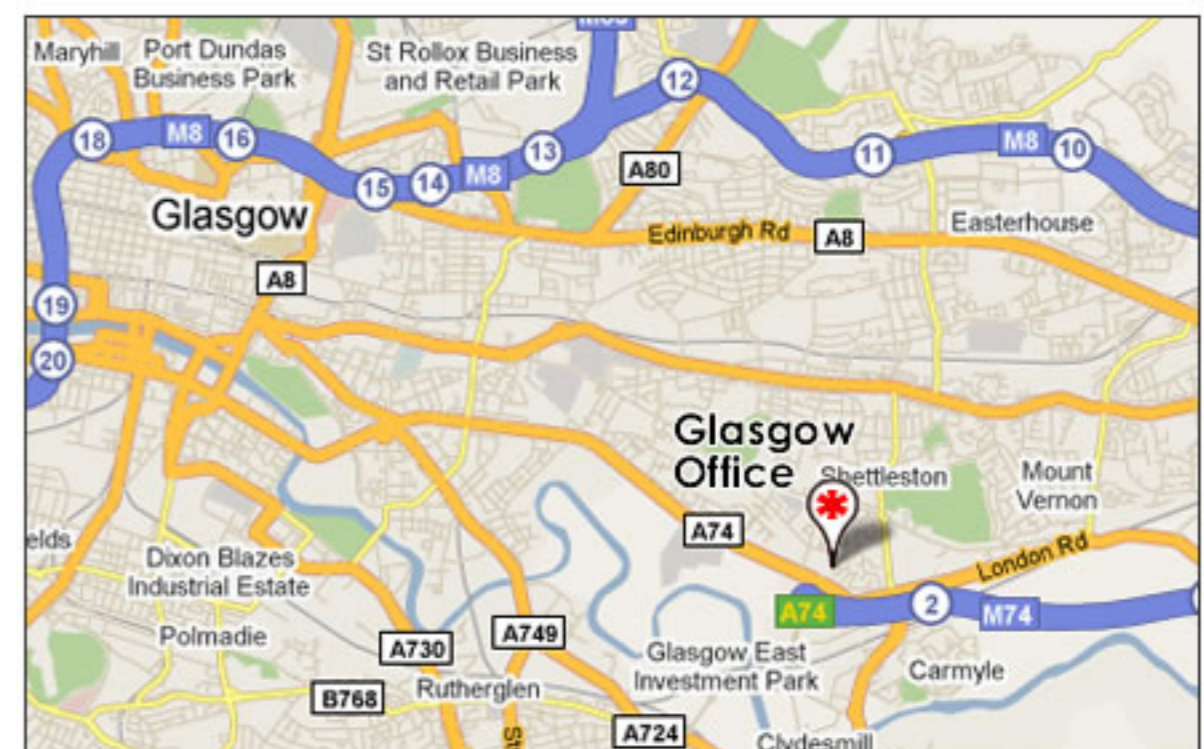
Roan Building Systems,
Fullarton Avenue,
Tollcross,
Glasgow,
G32 8YJ,
United Kingdom.

Telephone:

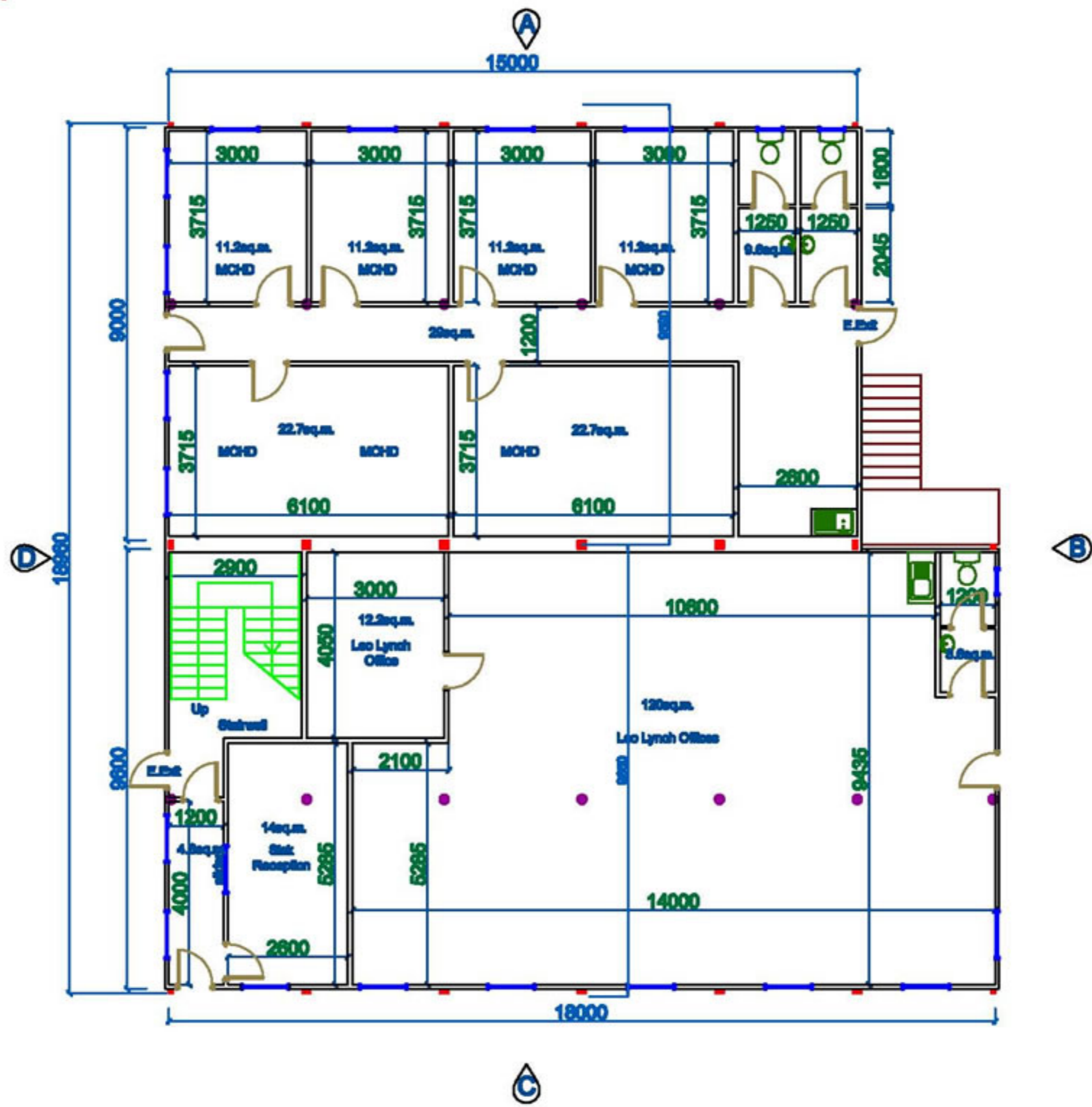
0845 121 1687

Email:

sales@roanbuildings.co.uk



Ground Floor Plan



First Floor Plan

